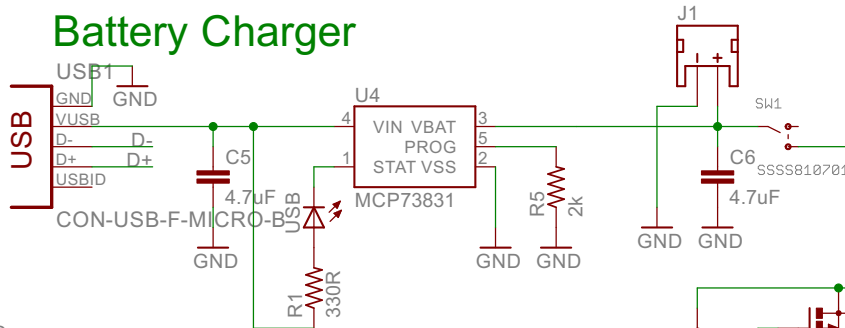
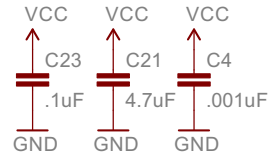
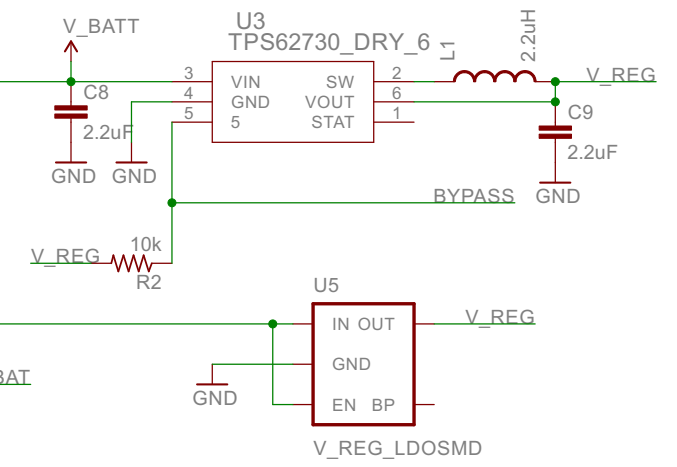


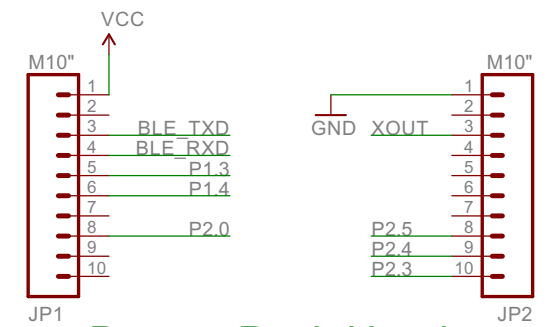
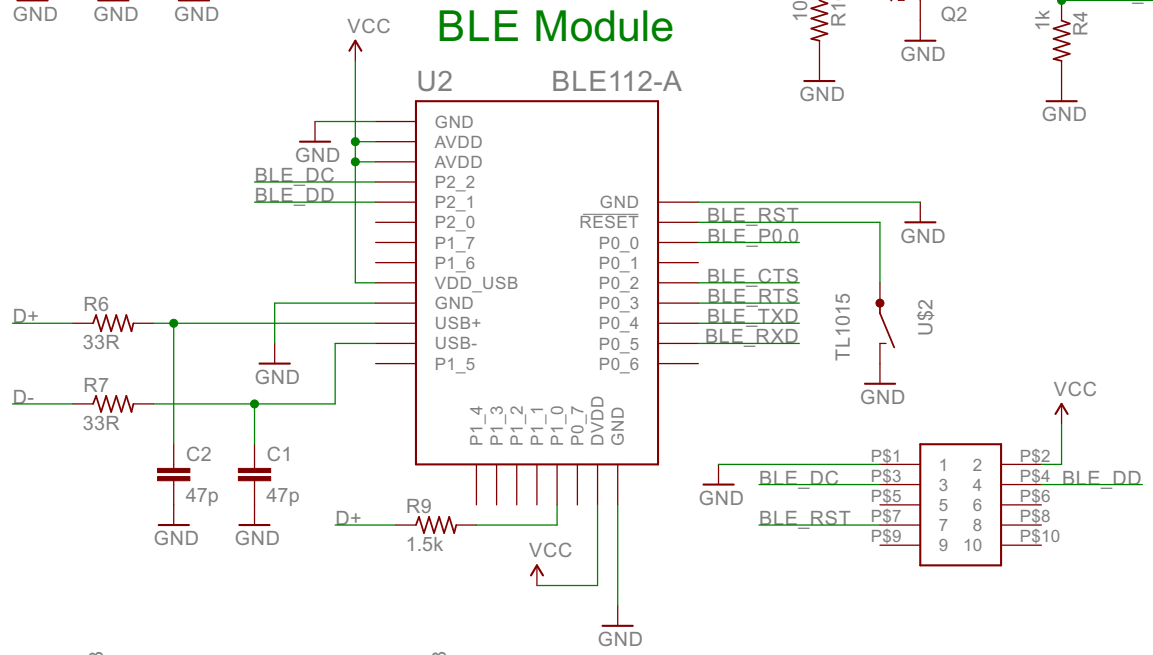
## Battery Charger



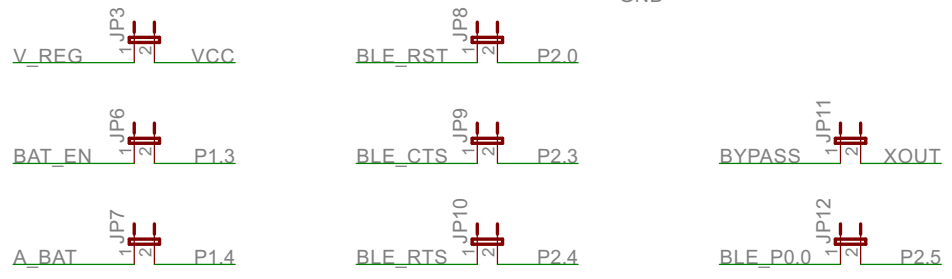
## Voltage Regulators



## BLE Module



## BoosterPack Headers



TITLE: Bluetooth Low Energy BoosterPack		
Document Number:	Hardware Breakout LLC	REV: U3.1
Date: 20140331	Sheet: 1/1	